

# PRODUCT SPECIFICATION

**Model No.: CSDD-40202 CSDD-40203**

Descriptions:
<ul style="list-style-type: none"> <li>■ 0.4 Inch Dual Digit Display</li> <li>■ CSDD-40202 is Common Anode</li> <li>■ CSDD-40203 is Common Cathode</li> <li>■ Emitting Color: Pure Green; Yellow Green; Yellow; Amber; Orange; Red; Deep Red</li> <li>■ Standard: -11: Gray face, white segment. -21: Black face, white segment.</li> </ul>



CUSTOMER APPROVED SIGNATURES	APPROVED BY	CHECKED BY	PREPARED BY

**OPTO PLUS TECHNOLOGIES CO.,LTD**  
 Address: No.696, Yangming North Rd,  
 ShaoXing City, ZheJiang Province, P.R.China.  
 Tel : 86-575-88623888  
 Fax: 86-575-88623112

**Model No.: CSDD-40202 CSDD-40203**

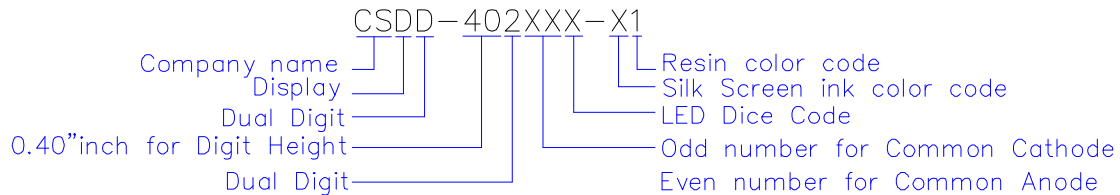
**Features -**

1. 0.4 inch (10.16mm) digit height.
2. Case mold type.
3. RoHS compliant.
4. Low power consumption.
5. Easy mounting on P.C. board or socket.

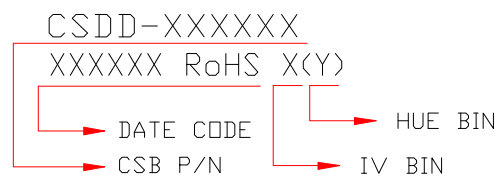
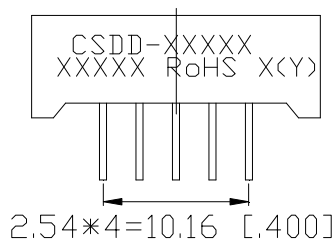
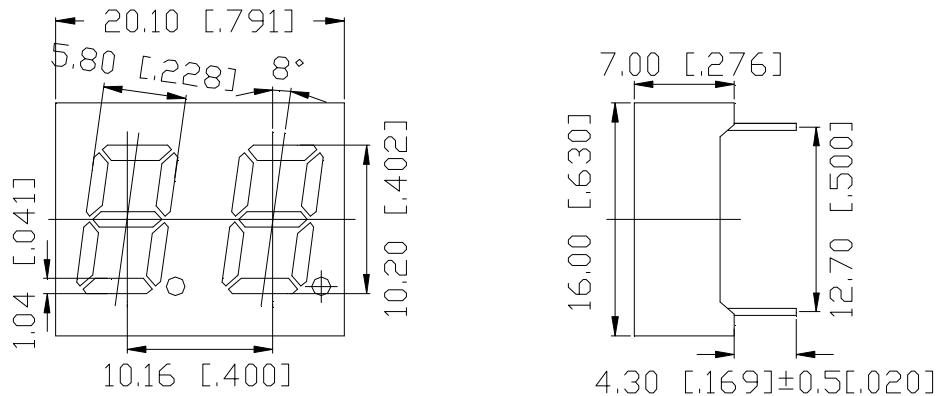
**Device Selection Guide -**

Model No.	Chip	
	Material	Emitting Color
CSDD-4020x2	AlGaInP	Pure Green
CSDD-4020xM		Yellow Green
CSDD-4020xT		Yellow
CSDD-4020xA		Amber
CSDD-4020xV		Orange
CSDD-4020xL		Red
CSDD-4020xU		Deep Red

**LED Numeric/Alphanumeric Display**



**Mechanical Dimensions -**

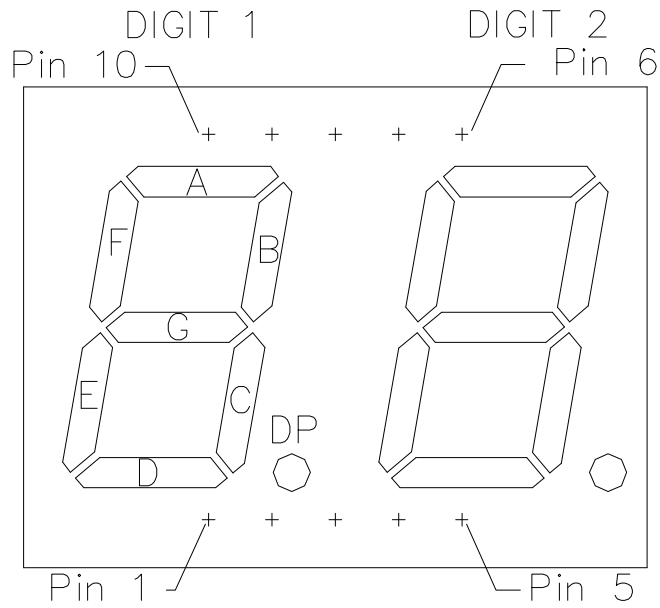


**Notes:**

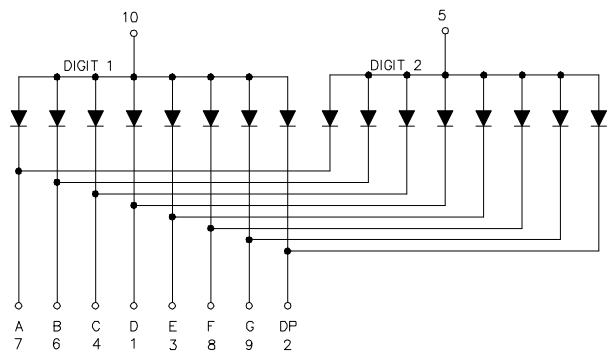
1. All pins are  $\Phi 0.51[0.020] \pm 0.1[0.004]$
2. Dimension in millimeter [inch], tolerance is  $\pm 0.25 [0.010]$  and angle is  $\pm 1^\circ$  unless otherwise noted.
3. Bending  $\leq$  Length \* 1%.

**Model No.: CSDD-40202 CSDD-40203**

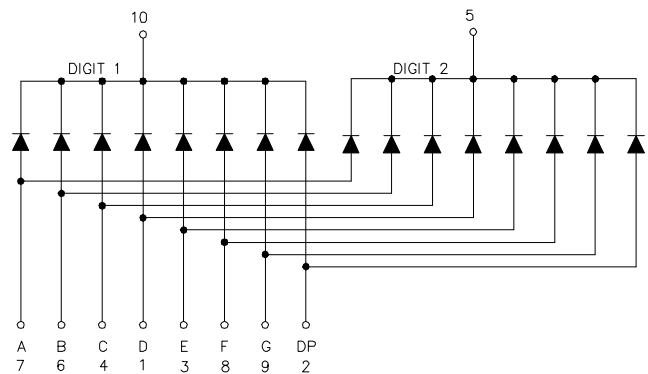
**■ All Light On Segments Feature & Pin Position**



**■ Internal Circuit Diagrams -**



CSDD-40202 is Common Anode



CSDD-40203 is Common Cathode

Model No.: CSDD-40202 CSDD-40203

■ Absolute Maximum Rating -

(Ta=25°C)

Parameter	Symbol	Rating		Unit
		2	M/T/A/V/L/U	
Power Dissipation Per Dice	PAD	114	70	mW
Derating Liner from 25°C per Dice	-	0.4	0.33	mA/°C
Continuous Forward Current Per Dice	IAF	30	25	mA
Peak Current Per Dice(duty cycle 1/10,1KHz)	IPF	100	90	mA
Reverse Voltage Per Dice	VR	5	5	V
Electrostatic discharge(HBM)	ESD	1000	/	V
Operating Temp.	Topr	-35 ~ +85		°C
Storage Temp.	Tstg	-35 ~ +85		°C
Hand Soldering Temp.	Tsol	350		°C

■ Electro-optical Characteristics -

(Ta=25°C)

Parameter	Symbol	Chip	Min.	Typ.	Max.	Unit	Condition
Luminous Intensity Per Segment	Iv	2	-	150	-	mcd	If=10mA
		M	-	15	-		
		T	-	40	-		
		A	-	50	-		
		V	-	28	-		
		L	-	24	-		
		U	-	20	-		
Forward Voltage Per Segment	VF	2	-	3.2	3.8	V	If=20mA
		M/T/A/V/L/U	-	2	2.8		
Peak Emission Wavelength / Dominant Wavelength	λP/λd	2	-	*/525	-	nm	If=20mA
		M	-	572/570	-		
		T	-	592/590	-		
		A	-	612/605	-		
		V	-	632/625	-		
		L	-	644/630	-		
U	-	660/645	-				
Reverse Current	IR		-	-	100	μA	VR=5V
Luminous Intensity Matching Ratio	IV-m		-	-	2:1	-	If=10mA

■ Typical Electrical / Optical Characteristics Curves -

(Ta = 25°C Unless Otherwise Noted)

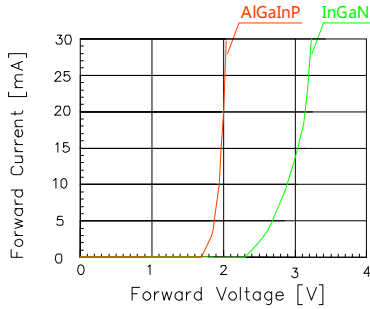


Fig 1. Forward Current vs. Forward Voltage

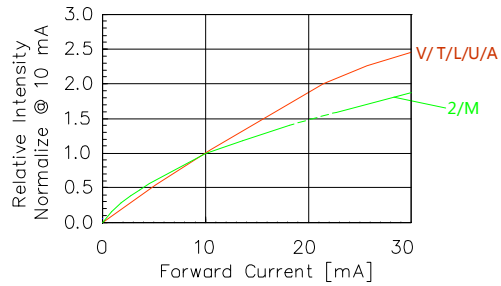


Fig 2. Relative Intensity vs. Forward Current

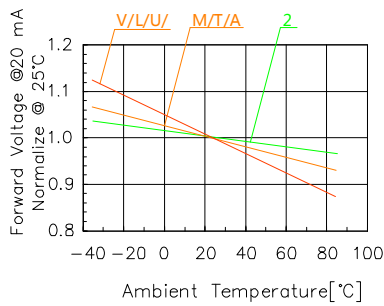


Fig 3. Forward Voltage vs. Temperature

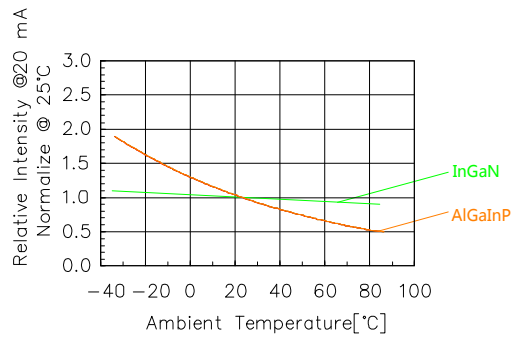


Fig 4. Relative Intensity vs. Temperature

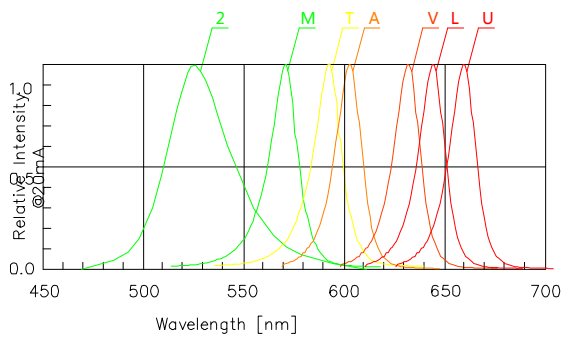


Fig 5. Relative Intensity vs. Wavelength

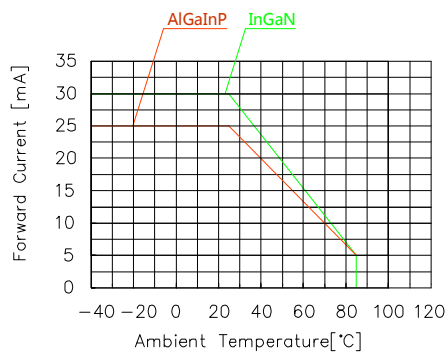


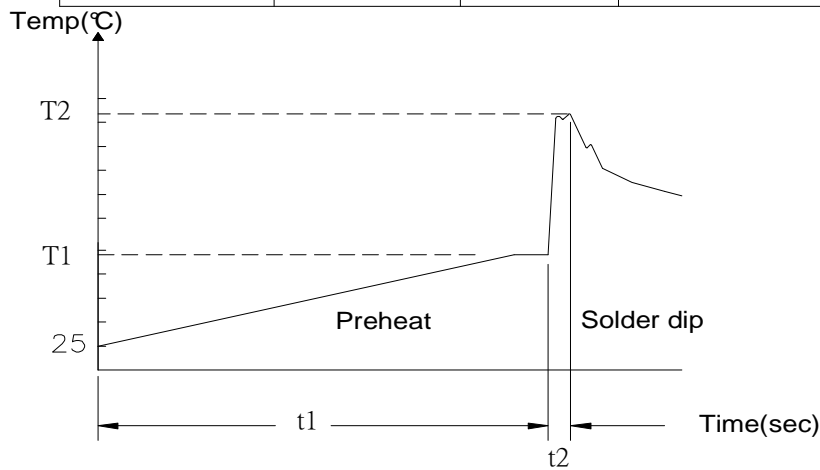
Fig 6. Forward current vs. Temperature

■ Precautions For Use -

1.Wave Soldering Profile

Distance:1.6mm min(From seating plane)

Item	Condition		Note
Preheat	Temperature T1	80 – 120°C	PWB temperature (Soldering side surface)
	Time t1	60 – 180sec	
Solder Dip	Temperature T2	230 – 260°C	Bath temperature
	Time t2	2 – 4sec	Solder tank passage time



2.Hand Soldering (Iron Condition)

Soldering Iron:30W Max

Temperature 350°C Max

Soldering Time:3 Seconds Max(One Time)

Distance:1.6mm min(From seating plane)