

# PRODUCT SPECIFICATION

**Model No.: CSOS-1A102B CSOS-1A103B**

## Descriptions:

- 1.0 Inch Single Digit Display
- CSOS-1A102 is Common Anode
- CSOS-1A103 is Common Cathode
- Emitting Color: Blue
- Standard: -11: Gray face, white segment.  
                  -21: Black face, white segment.



CUSTOMER APPROVED	APPROVED BY	CHECKED BY	PREPARED BY
SIGNATURES			

**OPTO PLUS TECHNOLOGIES CO.,LTD**  
 Address:No.696,Yangming North Rd,  
 ShaoXing City,ZheJiang Province, P.R.China.  
 Tel :86-575-88623888  
 Fax:86-575-88623112

**Model No.: CSOS-1A102B CSOS-1A103B**

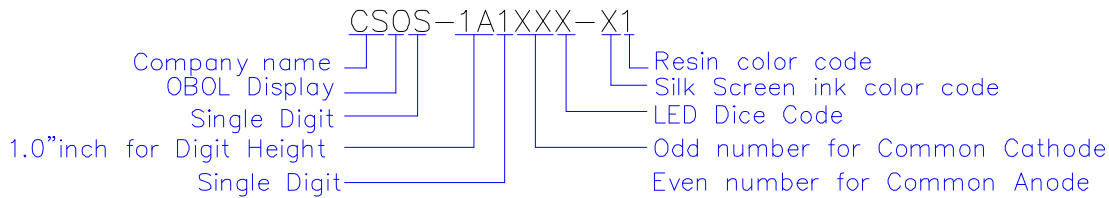
**Features -**

1. 1.0 inch (25.40mm) digit height.
2. Case mold type.
3. RoHS compliant.
4. Low power consumption.
5. Easy mounting on P.C. board or socket.

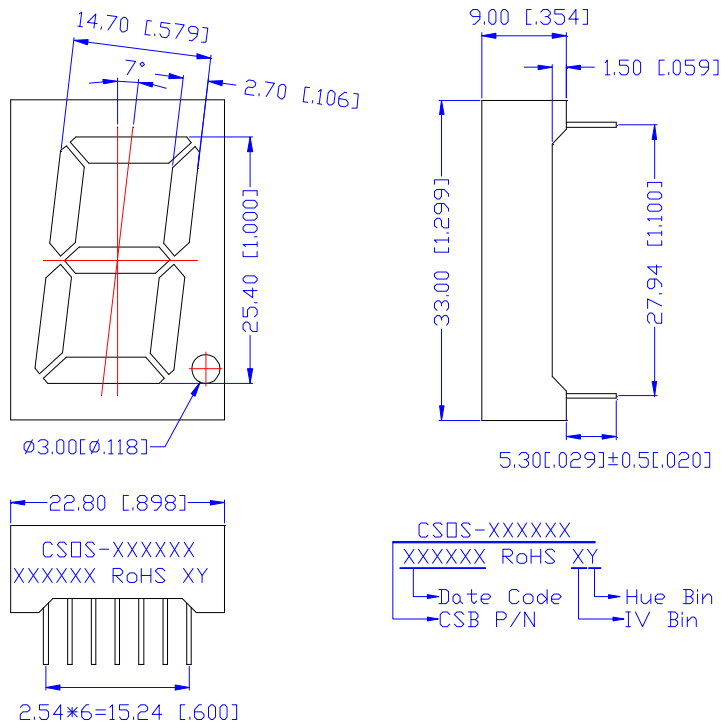
**Device Selection Guide -**

Model No.	Chip	
	Material	Emitting Color
CSOS-1A10XB	InGaN	Blue

**LED Numeric/Alphanumeric Display**



**Mechanical Dimensions -**

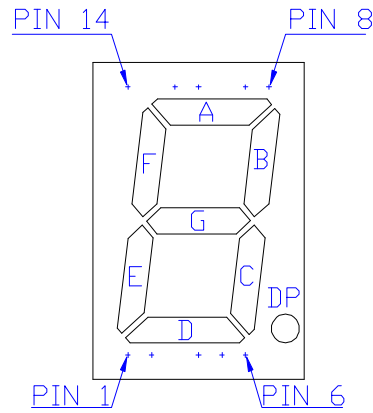


**Notes:**

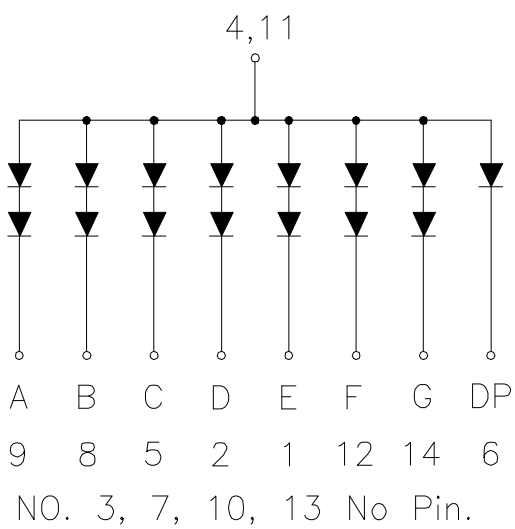
1. All pins are  $\varnothing 0.51 [0.020] \pm 0.1 [0.004]$
2. Dimension in millimeter [inch], tolerance is  $\pm 0.25 [0.010]$  and angle is  $\pm 1^\circ$  unless otherwise noted.
3. Bending  $\leq$  Length\*1%.

Model No.: CSOS-1A102B CSOS-1A103B

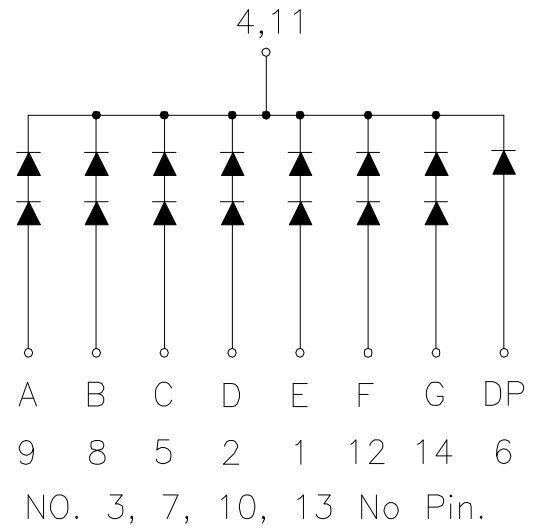
■ All Light On Segments Feature & Pin Position



■ Internal Circuit Diagrams -



CSOS-1A100 is Common Anode



CSOS-1A101 is Common Cathode

Model No.: CSOS-1A102B CSOS-1A103B

■ Absolute Maximum Rating -

(Ta=25°C)

Parameter	Symbol	Rating	Unit
Power Dissipation Per Dice	PAD	114	mW
Derating Liner from 25°C per Dice	-	0.4	mA/°C
Continuous Forward Current Per Dice	IAF	30	mA
Peak Current Per Dice(duty cycle 1/10,1KHz)	IPF	100	mA
Reverse Voltage Per Dice	VR	5	V
Electrostatic discharge(HBM)	ESD	1000	V
Operating Temp.	Topr	-35 ~ +85	°C
Storage Temp.	Tstg	-35 ~ +85	°C
Hand Soldering Temp.	Tsol	350	°C

■ Electro-optical Characteristics -

(Ta=25°C)

Parameter	Symbol	Min.	Typ.	Max.	Unit	Condition
Forward Voltage Per Segment(DP)	V <sub>F</sub>	-	6.4(3.2)	7.6(3.8)	V	I <sub>F</sub> =20mA
Luminous Intensity Per Segment	I <sub>v</sub>	-	60	-	mcd	I <sub>F</sub> =10mA
Dominant Wavelength	λ <sub>d</sub>	-	465	-	nm	I <sub>F</sub> =20mA
Reverse Current(DP)	I <sub>R</sub>	-	-	50	μA	V <sub>R</sub> =10(5)V
Luminous Intensity Matching Ratio	I <sub>v-m</sub>	-	-	2:1	-	I <sub>F</sub> =10mA

Notes:The device can not operated under continuous reverse voltage.

**Model No.: CSOS-1A102B CSOS-1A103B**

**Typical Electrical / Optical Characteristics Curves -**

(Ta = 25°C Unless Otherwise Noted)

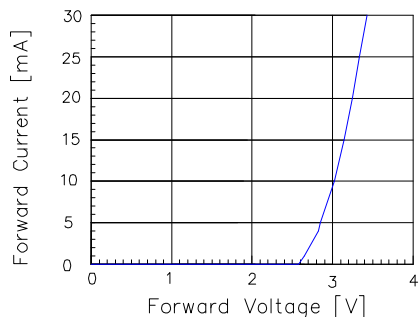


Fig 1. Forward Current vs. Forward Voltage

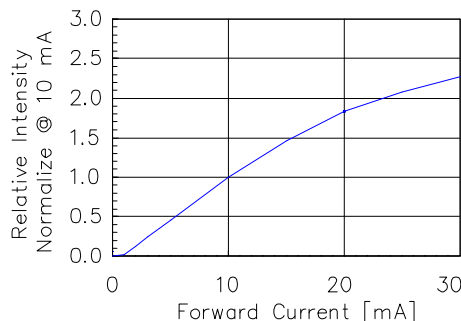


Fig 2. Relative Intensity vs. Forward Current

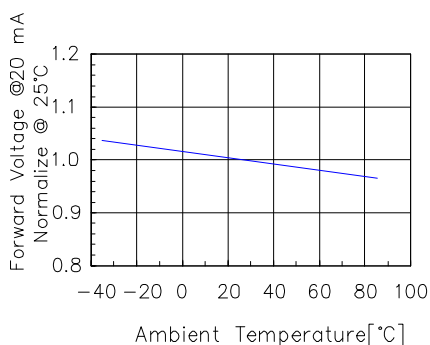


Fig 3. Forward Voltage vs. Temperature

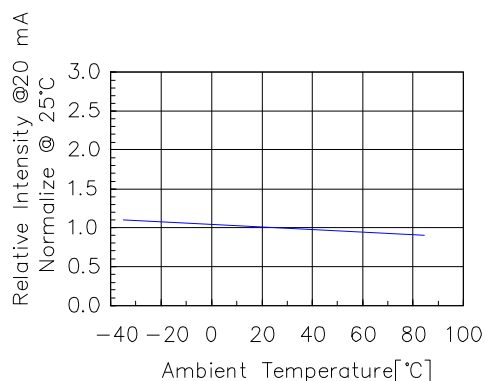


Fig 4. Relative Intensity vs. Temperature

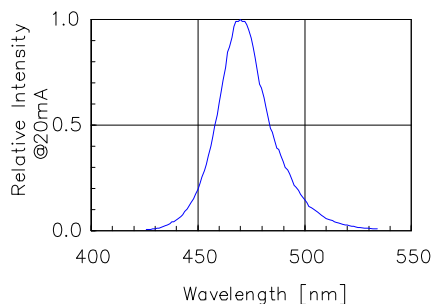


Fig 5. Relative Intensity vs. Wavelength

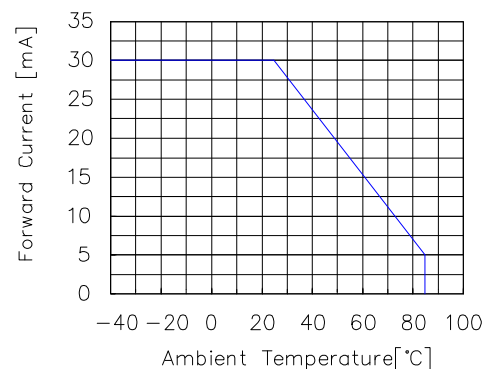


Fig 6. Forward current vs. Temperature

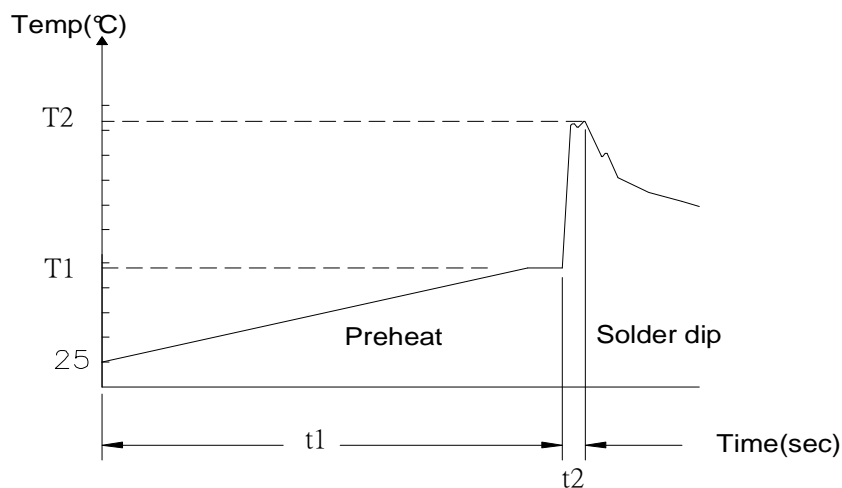
**Model No.: CSOS-1A102B CSOS-1A103B**

**■ Precautions For Use -**

**1.Wave Soldering Profile**

Distance:1.6mm min(From seating plane)

Item	Condition		Note
Preheat	Temperature T1	80 – 120°C	PWB temperature (Soldering side surface)
	Time t1	60 – 180sec	
Solder Dip	Temperature T2	230 – 260°C	Bath temperature
	Time t2	2 – 4sec	Solder tank passage time



**2.Hand Soldering (Iron Condition)**

Soldering Iron:30W Max

Temperature 350°C Max

Soldering Time:3 Seconds Max(One Time)

Distance:1.6mm min(From seating plane)