

# PRODUCT SPECIFICATION

**Model No.: CSOT-S30320 CSOT-S30321**

Descriptions:
<ul style="list-style-type: none"> <li>■ 0.30 Inch Triple Digit Display</li> <li>■ CSOT-S30320 is Common Anode</li> <li>■ CSOT-S30321 is Common Cathode</li> <li>■ Emitting Color: Blue</li> <li>■ Standard: -11: Gray face, white segment. -21: Black face, white segment.</li> </ul>



CUSTOMER APPROVED SIGNATURES	APPROVED BY	CHECKED BY	PREPARED BY

**OPTO PLUS TECHNOLOGIES CO.,LTD**  
 Address:No.696,Yangming North Rd,  
 ShaoXing City,ZheJiang Province, P.R.China.  
 Tel :86-575-88623888  
 Fax:86-575-88623112

**Model No.: CSOT-S30320 CSOT-S30321**

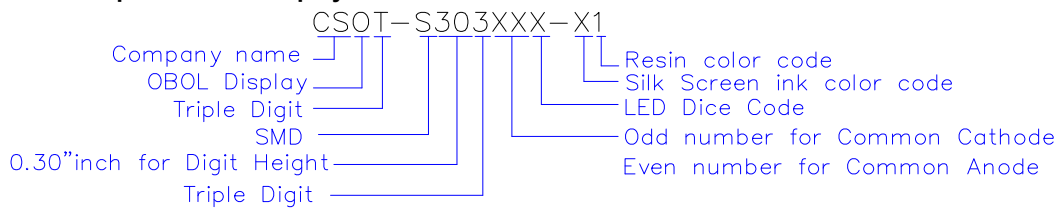
**■ Features -**

1. 0.30 inch (7.62mm) digit height
2. Qualified according to JEDEC moisture sensitivity Level 2a.
3. RoHS compliant.
4. Low power consumption.
5. Easy mounting on P.C. board .

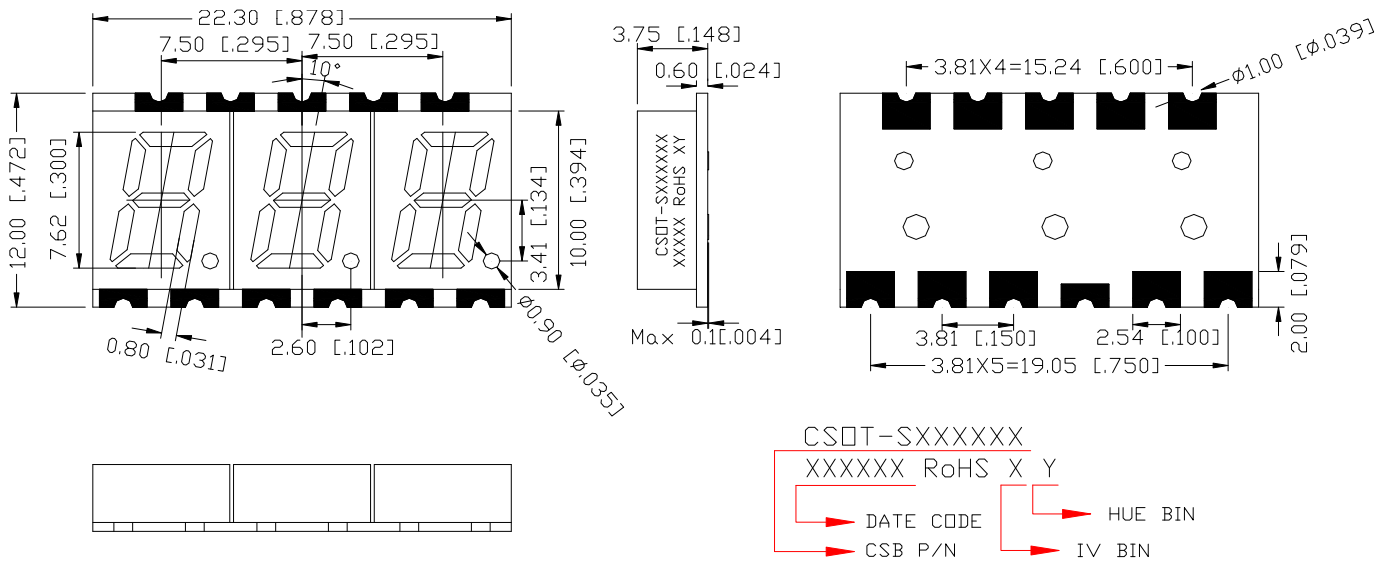
**■ Device Selection Guide -**

Model No.	Chip	
	Material	Emitting Color
CSOT-S3032xB	InGaN	Blue

**■ LED Numeric/Alphanumeric Display**



**■ Mechanical Dimensions -**

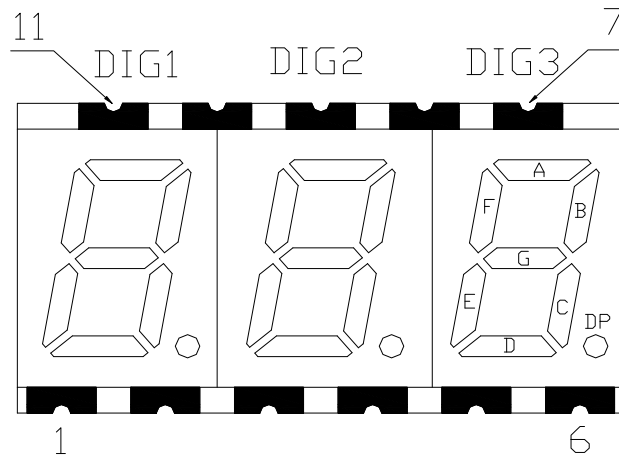


**Notes:**

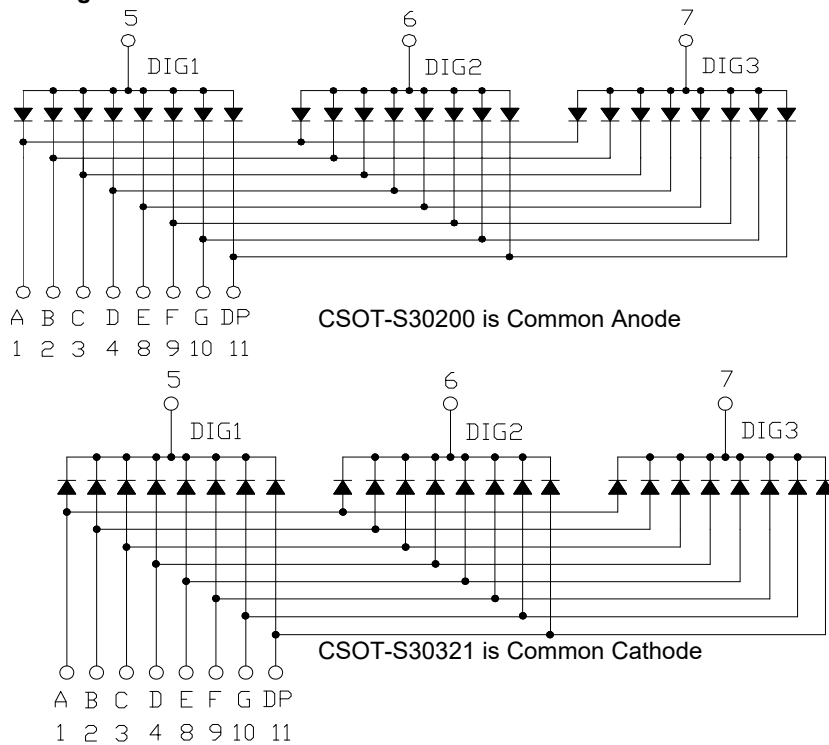
1. Dimension in millimeter [inch], tolerance is  $\pm 0.25$  [0.010] and angle is  $\pm 1^\circ$  unless otherwise noted.
2. Bending  $\leq$  Length\*1%.

Model No.: CSOT-S30320 CSOT-S30321

■ All Light On Segments Feature & Pin Position



■ Internal Circuit Diagrams -



Model No.: CSOT-S30320 CSOT-S30321

■ Absolute Maximum Rating -

(Ta=25°C)

Parameter	Symbol	Rating	Unit
Power Dissipation Per Dice	P <sub>AD</sub>	114	mW
Derating Liner from 25°C per Dice	-	0.4	mA/°C
Continuous Forward Current Per Dice	I <sub>AF</sub>	30	mA
Peak Current Per Dice(duty cycle 1/10,1KHz)	I <sub>PF</sub>	100	mA
Reverse Voltage Per Dice	V <sub>R</sub>	5	V
Electrostatic discharge(HBM)	ESD	1000	V
Operating Temp.	T <sub>opr</sub>	-40 ~ +105	°C
Storage Temp.	T <sub>stg</sub>	-40 ~ +105	°C

■ Electro-optical Characteristics -

(Ta=25°C)

Parameter	Symbol	Min.	Typ.	Max.	Unit	Condition
Forward Voltage Per Segment	V <sub>F</sub>	-	3.2	3.8	V	I <sub>F</sub> =20mA
Luminous Intensity Per Segment	I <sub>v</sub>	-	7	-	mcd	I <sub>F</sub> =10mA
Dominant Wavelength	λ <sub>d</sub>	-	465	-	nm	I <sub>F</sub> =20mA
Reverse Current	I <sub>R</sub>	-	-	50	μA	V <sub>R</sub> =5V
Luminous Intensity Matching Ratio	I <sub>v-m</sub>	-	-	2:1	-	I <sub>F</sub> =10mA

Notes:The device can not operated under continuous reverse voltage.

■ Typical Electrical / Optical Characteristics Curves -

(Ta = 25°C Unless Otherwise Noted)

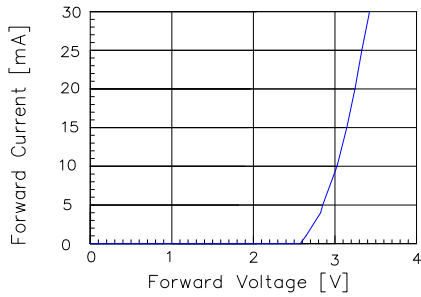


Fig 1. Forward Current vs. Forward Voltage

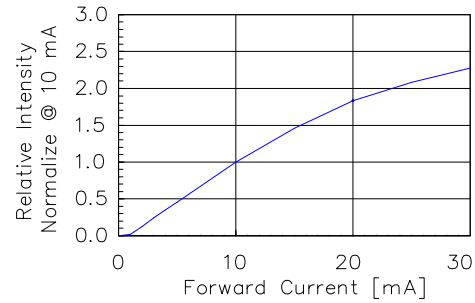


Fig 2. Relative Intensity vs. Forward Current

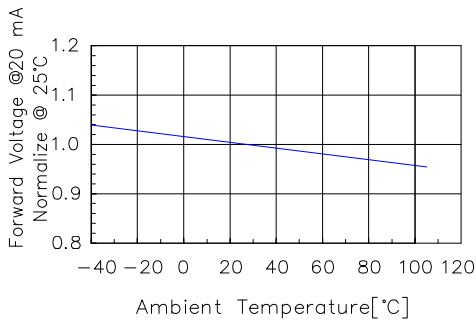


Fig 3. Forward Voltage vs. Temperature

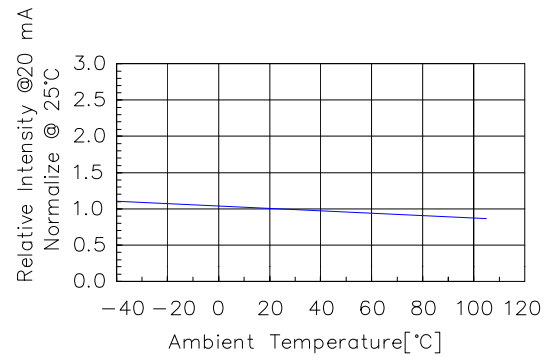


Fig 4. Relative Intensity vs. Temperature

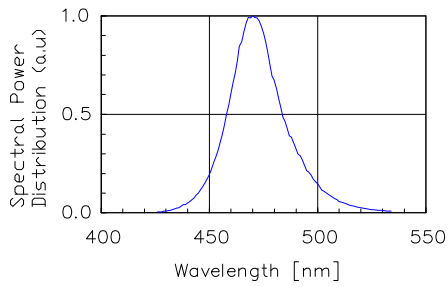


Fig 5. Spectral Power Distribution vs. Wavelength

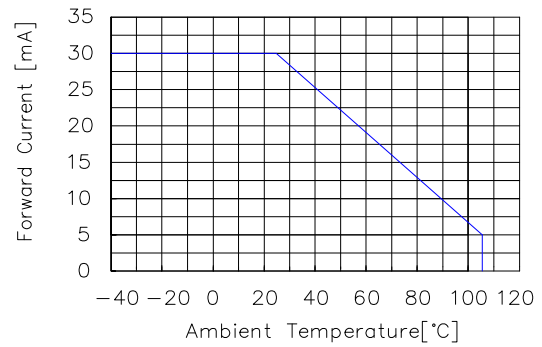
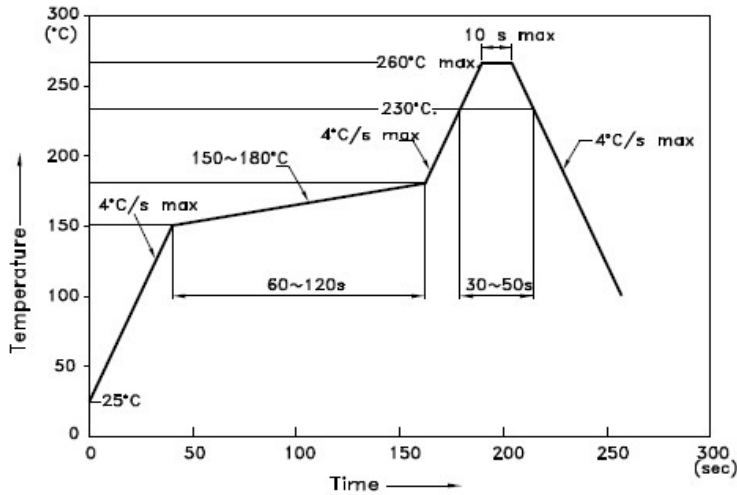


Fig 6. Forward current vs. Temperature

Model No.: CSOT-S30320 CSOT-S30321

## SMT REFLOW SOLDERING INSTRUCTIONS

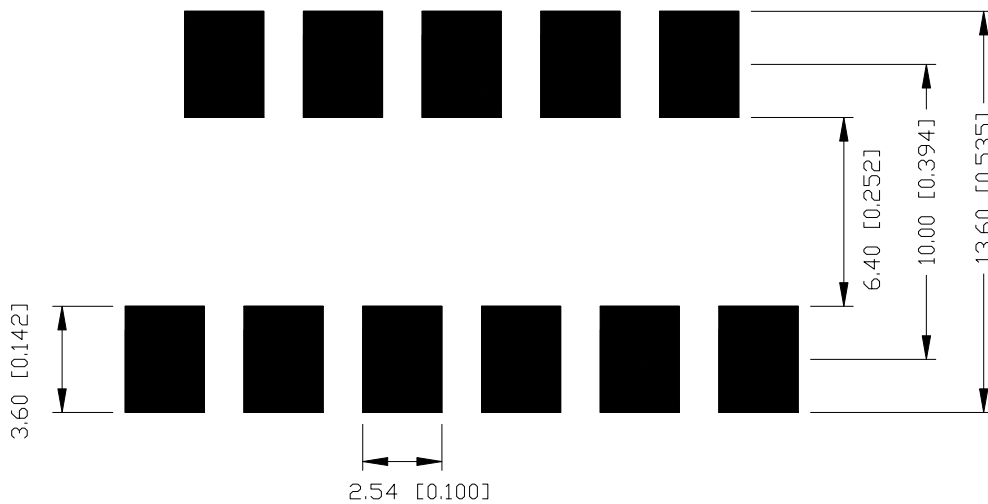
### ■ IR Reflow Temperature / Time :



#### NOTES:

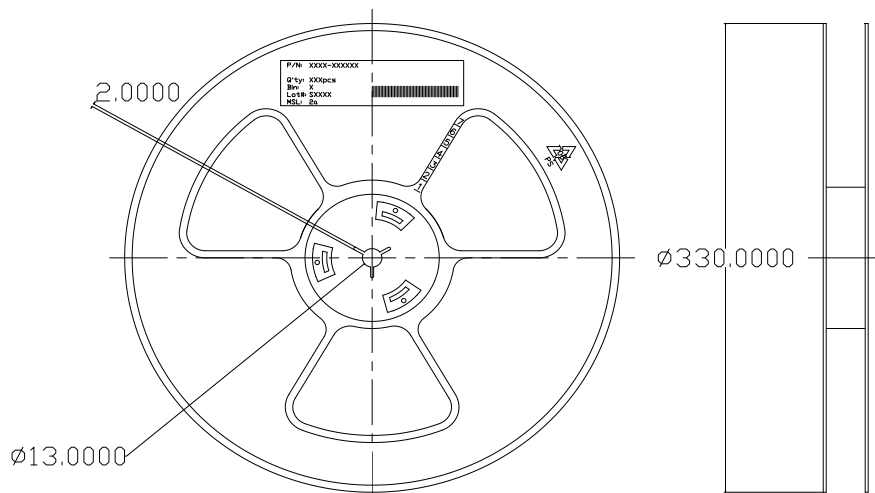
1. We recommend the reflow temperature 245°C(+/-5°C). The maximum soldering temperature should be limited to 260°C.
2. Don't cause stress to the epoxy resin while it is exposed to high temperature.
3. Number of reflow process shall be 2 times or less.

### ■ Soldering Pad Size

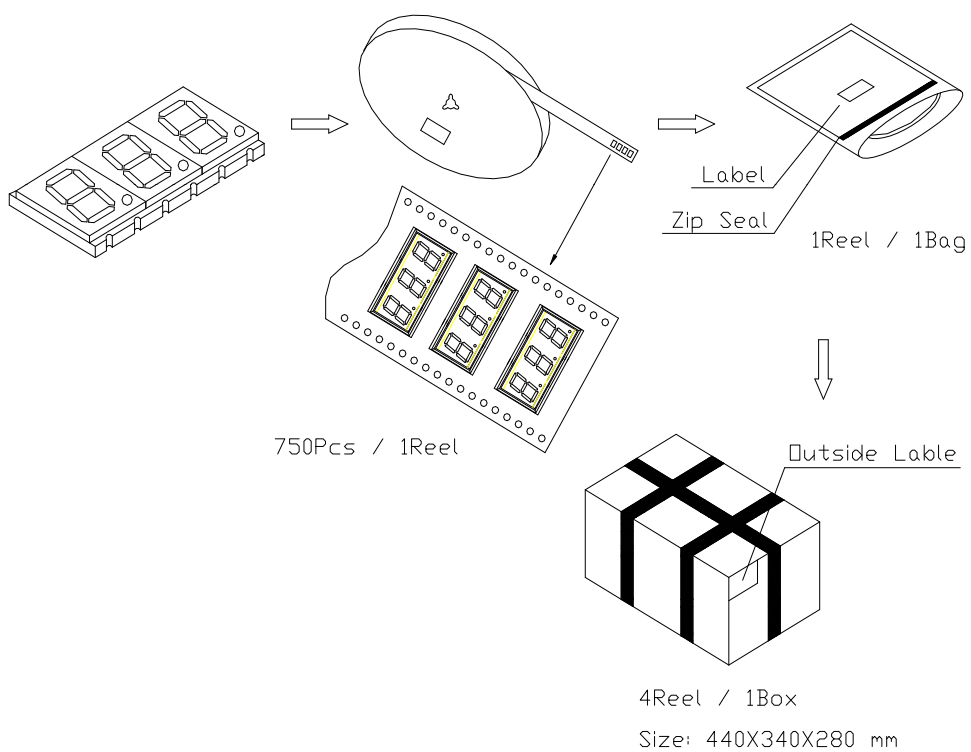


Model No.: CSOT-S30320 CSOT-S30321

■ REEL DIMENSIONS



■ PACKING & LABEL SPECIFICATIONS



Note: The specifications are subject to change without notice. Please contact us for updated information.